

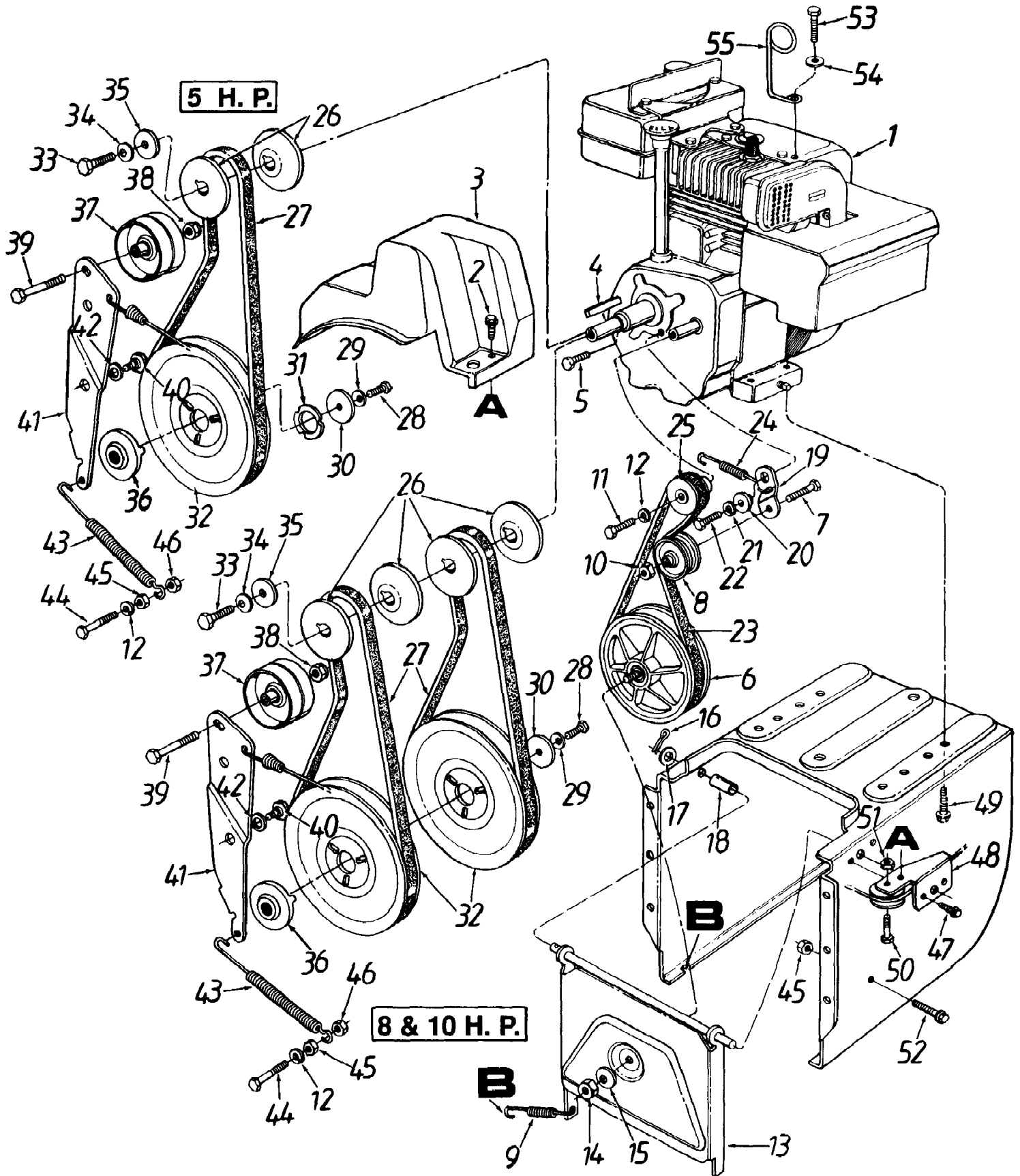
313-646F190 Snow Boss 850 (1993)
Friction Wheel And Wheel Assemblies

Page 2 of 13

Ref #	Part Number	Qty	S/P/F	Description
1	684-0042	1	S	Friction Wheel Ass'y. Comp. Code: N Notates a new part (not previously existing)
1A	618-0063	1		Friction Wheel Brg. Ass'y.
2	684-0008	1	S	Shift Arm Ass'y.
3	684-0013	1		Shift Rod Ass'y.
4	684-0030	1		Frame Ass'y.
5	710-0642	1	/P	Hex TT-Tap Scr. 1/4-20 x .75" Lg.
6	710-0653	1	/P	Hex Tap Scr. 1/4-20 x .38" Lg.
7	710-0788	1	/P	Hex Wash. Hd. TT-Tap Scr. 1/4-20 x 1" Lg.
8	710-1017	1	/P	Torx Mach, AB-Tap Scr. 1/4 x .62" Lg.
10	712-0287	1	S/F	Hex Nut 1/4-20 Thd.
11	712-0298	1	S	Hex Jam Nut 1/4-20 Thd.
12	717-1415	1		Gear Shaft Code: N Notates a new part (not previously existing)
14	736-0176	1	S	FI-Wash. .265" I.D. x .938" O.D.
15	736-0329	1	S/F	L-Wash. 1/4" I.D.
16	738-0870	1		Shld. Bolt 5/16 Dia. x .35" Lg.
17	741-0563	1	S	Ball Brg. w/Snap Ring
18	756-0625	1		Cable Roller Guide
19	784-5590	1		Shift Bracket - Frame
20	784-5638	1		Frame Cover
21	784-5644	1	S	Drive Cable Guide Brkt.
22	784-5646	1		Auger Cable Guide Brkt.
23	784-5658	1	S	Front Support Brkt. Guide
25	734-1714	1		Wheel Ass'y. Comp. (616E)
	734-1709	1		Wheel Ass'y. Comp. (646F)
26	734-0255	1	S	Air Valve
27	734-1527	1		Tire Only (616E)
	734-1530	1		Tire Only (646F)
28	734-1713	1		Rim Only (616E)
	734-1708	1	S	Rim Only (646F)
29	741-0401	1	S	Sleeve Bearing .752" I.D.
30	714-0126	1	S	#9 Hi-Pro Key 3/16" x 3/4" Dia.
31	714-0162	1	/P	Cotter Pin 5/32" x 1-1/4" Lg.
32	714-0143	1	S	Klik Pin
33	717-1414	1		79 Tooth Gear Code: N Notates a new part (not previously existing)
34	736-0188	1	/P	FI-Wash. .76" I.D. x 1.49" O.D.
35	738-0869	1		Wheel Axle (616E)
36	741-0598	1	S	Hex Flange Brg. .752" I.D.
38	738-0830	1		Wheel Axle (646F)
40	710-0502	1	S	Hex Bolt 3/8-16 x 1.25"
41	715-0249	1	S	Spr. Roll Pin 1.12" Lg.
42	736-3052	1	/P	FI-Wash. .406" I.D. x 1" O.D.
43	710-0599	1	/P	Hex Wash. Hd. TT-Tap Scr. 1/4-20 x .5" Lg.
44	718-0240	1		Friction Wheel Hub Code: N Notates a new part (not previously existing)
45	784-5677	1		Friction Plate Code: N Notates a new part (not previously existing)

313-646F190 Snow Boss 850 (1993)
Friction Wheel And Wheel Assemblies

Ref #	Part Number	Qty	S/P/F	Description
46	735-0243	1	S	Friction Wheel Rubber Code: N Notates a new part (not previously existing)



313-646F190 Snow Boss 850 (1993)
Pulleys, Belts And Belt Cover

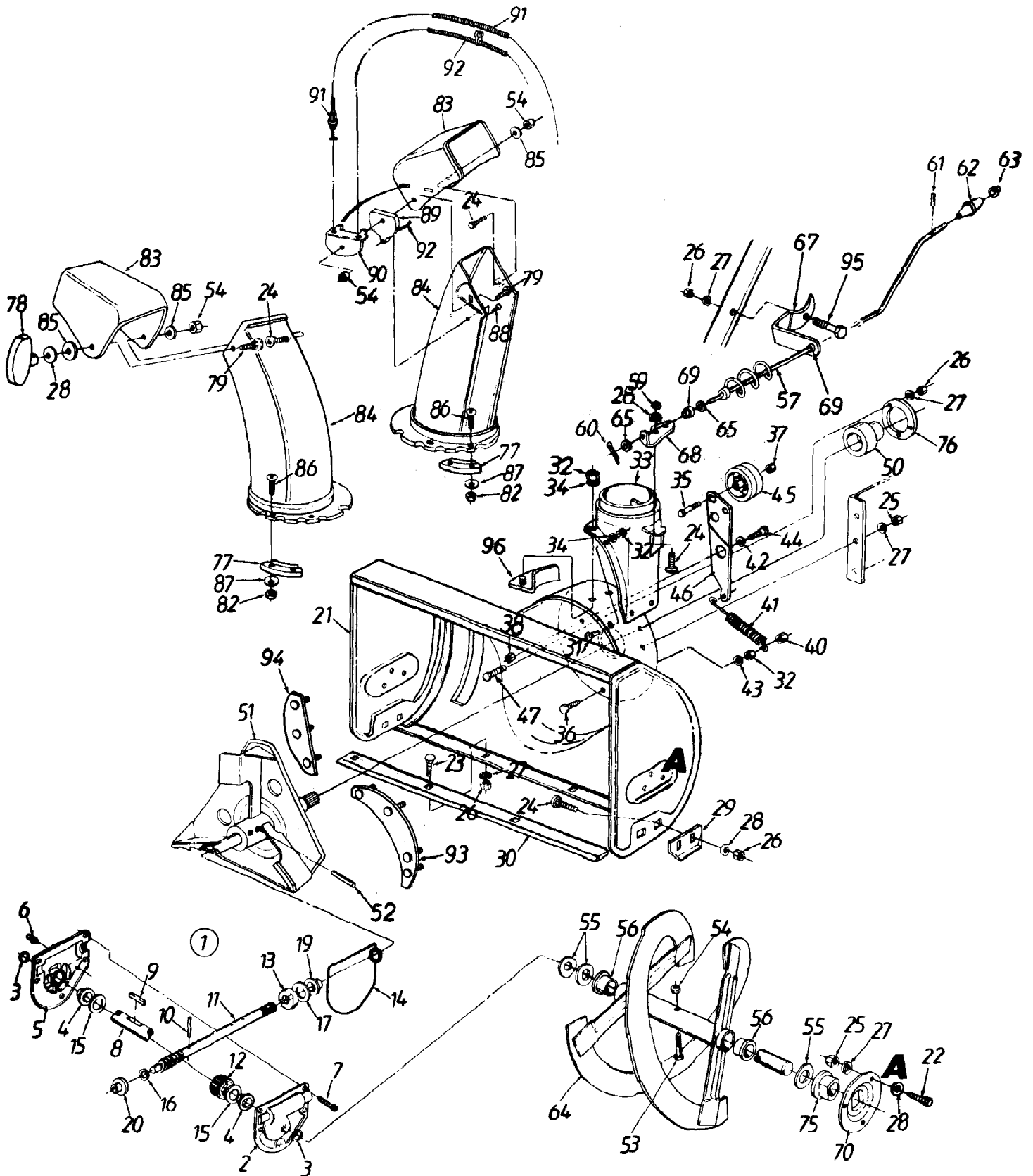
Page 5 of 13

Ref #	Part Number	Qty	S/P/F	Description
1		1		Engine
2	710-0599	1	/P	Hex Wash. Hd. TT-Tap Scr. 1/4-20 x .5" Lg.
3	731-1324	1		Belt Cover
4	714-0133	1	S	Sq.-Key 3/16 x 1.5" Lg. (646F)
	714-0122	1	S	Sq.-Key 3/16 x .75" Lg. (616E)
5	710-3166	1	S	Hex Patch Bolt 5/16-24 x 1" Lg. (Gr. 5)
6	656-0009	1	S	Friction Wheel Disc Ass'y.
7	710-0342	1	S	Hex Bolt 3/8-16 x 1.25" Lg.
8	756-0313	1	/P	FI-Idler 2.12" O.D.
9	732-0264	1	S	Ext. Spring 2.5" Lg.
10	712-0181	1	S	Hex Top L-Nut 3/8-16 Thd.
11	710-0230	1	/P	Hex Bolt 1/4-28 x .5" Lg.
12	736-0329	1	S/F	L-Wash. 1/4" I.D.
13	684-0021	1	S	Friction Wheel Support Brkt. Ass'y.
14	712-0711	1	/P	Hex Jam Nut 3/8-24 Thd.
15	736-0105	1	/P	Bell-Wash. .38" I.D. x .88" O.D.
16	714-0474	1	S	Cotter Pin 1/8" x .75" Lg.
17	736-0160	1	S	FI-Wash. .531" I.D. x .93" O.D.
18	748-0190	1	/P	Spacer .508." I.D. x .75" O.D.
19	05896	1		Drive Clutch Idler Bracket
20	748-0234	1	/P	Shld. Spacer .5" Dia. x .27" Lg.
21		1		UNKNOWN
22	710-0117	1	S	Hex Bolt 5/16-24 x 1" Lg. (616E)
	710-0604	1	S	Hex Wash. Hd. Tap Scr. 5/16-18 x .62" Lg. (646F)
23	754-0343	1	S	"V"-Belt (616E)
	754-0346	1	S	"V"-Belt (646F)
24	732-0339	1	S	Extension Spring (616E)
	732-0710	1	S	Extension Spring (646F)
25	756-0959	1	S	2" Dia. Pulley
26	756-0569	1		3/8 "V"-Pulley Half
27	754-0431	1	S	"V"-Belt (616E)
	754-0430	1	S	"V"-Belt (646F)
28	710-0627	1	/P	Hex Cap L-Bolt 5/16-24 x .75" Lg.
29	736-0242	1	/P	Bell-Wash. .345" I.D. x .88" O.D.
30	736-0505	1		FI-Wash. .34" I.D. x 1.5" O.D. Code: N Notates a new part (not previously existing)
31	736-0507	1	S	Brg. Retaining Washer (616E Only) Code: N Notates a new part (not previously existing)
32	756-0967	1		Auger Pulley Code: N Notates a new part (not previously existing)
33	710-0696	1	/P	Hex Bolt 3/8-24 x .88" Lg.
34	736-0331	1	/P	Bell-Wash. .39" I.D. x 1.13" O.D.
35	736-0360	1		FI-Wash. .406" I.D. x 1.25" O.D.
36	748-0247	1		Adapter Pulley
37	756-0178	1		FI-Idler 2.75" O.D.
38	712-0116	1	S	Hex Ins. L-Nut 3/8-24 Thd.
39	710-0459	1	S	Hex Bolt 3/8-24 x 1.5" Lg. (Gr. 5)
40	738-0281	1	S	Shld. Bolt .625" Dia. x .170" Lg.
41	784-5632	1	S	Auger Idler Brkt.
42	736-0174	1		FI-Wash. .366" I.D. x .88"

313-646F190 Snow Boss 850 (1993)
Pulleys, Belts And Belt Cover

Page 6 of 13

Ref #	Part Number	Qty	S/P/F	Description
43	732-0611	1	S	Ext. Spring 3.6" Lg.
44	710-0812	1		Hex Bolt 1/4-20 x .75" Lg. (Gr. 5)
45	712-0287	1	S/F	Hex Nut 1/4-20 Thd.
46	712-0291	1	S	Hex L-Nut 1/4-20 Thd.
47	710-1017	1	/P	Torx Mach. AB-Tap Scr. 1/4 x .62" Lg.
48	784-5658	1	S	Front Support Brkt. Guide
49	710-0502	1	S	Hex L-Wash. TT-Tap Scr. 3/8-16 x 1.25" Lg.
50	738-0870	1		Shld. Bolt 5/16" Dia. x .35" Lg.
51	712-0298	1	S	Hex Jam Nut 1/4-20 Thd.
52	710-0788	1	/P	Hex Wash. Hd. TT-Tap Scr. 1/4-20 x 1" Lg.
53	710-0602	1	/P	Hex Wash. Hd. Tap Scr. 5/16-18 x 1" Lg. (646F)
54	736-0159	1	S	FI-Wash. .349" I.D. x .879" O.D. (646F)
55	732-0705	1		Cable Control Wire (646F)



313-646F190 Snow Boss 850 (1993)
Snow Throwers

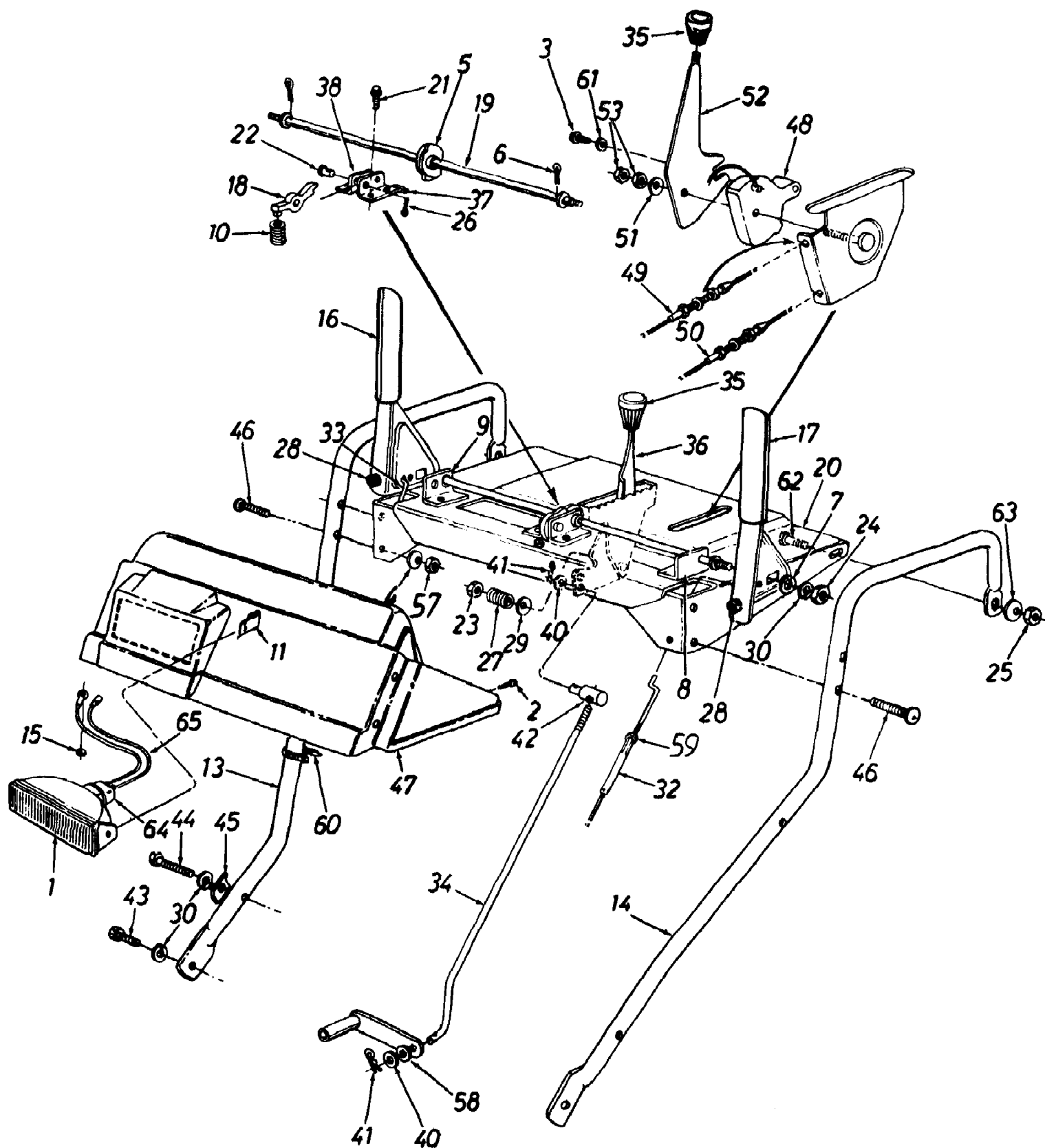
Page 8 of 13

Ref #	Part Number	Qty	S/P/F	Description
1	618-0040	1	S	Worm Drive Ass'y. Comp. (616E)
	618-0041	1	S	Worm Drive Ass'y. Comp. (646F)
2	719-0292	1		Reducer Housing - L.H.
3	721-0179	1	S	Oil Seal
4	741-0339	1	S	Flange Bearing .75" I.D.
5	719-0293	1		Reducer Housing - R.H.
6	737-3000	1	S	Grease Fitting
7	710-0642	1	/P	Hex TT-Tap Scr. 1/4-20 x .75" Lg.
8	711-0908	1	S	24" Auger Shaft (616E)
	711-0909	1	S	26" Auger Shaft (646F)
9	714-0388	1	S	#61 Hi-Pro Key 3/16" x 5/8" Dia.
10	715-0143	1	S	Spiral Pin 1.25" Lg.
11	717-0526	1		Impeller Shaft
12	717-0528	1	S	Worm Gear
13	718-0186	1		Thrust Collar
14	721-0255	1		"O"-Ring (Special)
15	736-0351	1	S	FI-Wash. .76" I.D. x 1.5" O.D.
16	736-0369	1	S	FI-Wash. .5" I.D. x 1" O.D.
17	736-0445	1	S	FI-Wash. .76" I.D. x 1.49" O.D.
19	741-0376	1	S	Flange Bearing .75" I.D.
20	748-0108	1	S	Flange Bearing .503" I.D.
21	684-0039	1	S	24" Auger Housing Ass'y. (616E) Code: N Notates a new part (not previously existing)
	684-0040	1		26" Auger Housing Ass'y. (646F) Code: N Notates a new part (not previously existing)
22	710-0157	1	/P/F	Hex Bolt 5/16-24 x .75" Lg.
23	710-0260	1	S	Carriage Bolt 5/16-18 x .62" Lg.
24	710-0451	1	/P	Carriage Bolt 5/16-18 x .75" Lg.
25	712-0123	1	/P/F	Hex Nut 5/16-24 Thd.
26	712-0267	1	S/F	Hex Nut 5/16-18 Thd.
27	736-0119	1	S/F	L-Wash. 5/16" I.D.
28	736-0242	1	/P	Bell-Wash. .345" I.D. x .88" O.D.
29	784-5580	1		Slide Shoe
30	784-5581	1	S	24" Shave Plate (616E)
	784-5579	1	S	26" Shave Plate (646F)
31	710-0286	1	/P	Truss Mach. Scr. 1/4-20 x .5" Lg.
32	712-0287	1	S/F	Hex Nut 1/4-20 Thd.
33	731-1379	1	S	Chute Adapter Code: N Notates a new part (not previously existing)
34	736-0175	1	S	Spring Washer 1/4" I.D.
35	710-0459	1	S	Hex Bolt 3/8-24 x 1.5" Lg. (Gr. 5)
36	710-0812	1		Hex Bolt 1/4-20 x .75" Lg. (Gr. 5)
37	712-0116	1	S	Hex Ins. L-Nut 3/8-24 Thd.
38	712-0181	1	S	Hex Top L-Nut 3/8-16 Thd.
40	712-0291	1	S	Hex L-Nut 1/4-20 Thd.
41	732-0611	1	S	Ext. Spring 3.6" Lg.
42	736-0167	1	S	FI-Wash. 5/8" I.D. x 1.25"
43	736-0329	1	S/F	L-Wash. 1/4" I.D.
44	738-0281	1	S	Shld. Bolt .625" Dia. x .170" Lg.
45	756-0178	1		FI-Idler 2.75" O.D.
46	784-5632	1	S	Auger Idler Brkt.

313-646F190 Snow Boss 850 (1993)
Snow Throwers

Page 9 of 13

Ref #	Part Number	Qty	S/P/F	Description
47	710-1087	1	S	Hex Bolt 5/16-18 x 5/8" Lg.
50	741-0309	1	S	Ball Bearing .75" I.D.
51	705-5187	1	S	Blower Fan Ass'y.
52	715-0114	1	S	Spiral Pin 1.5" Lg.
53	710-0890	1	S	Shear Bolt 5/16-18 x 1.5" Lg.
54	712-0158	1	S	Hex Cent. L-Nut 5/16-18 Thd.
55	736-0188	1	/P	FI-Wash. .76" I.D. x 1.49"
56	741-0493A	1	/P	Flange Bushing .8" I.D. Code: N Notates a new part (not previously existing)
57	684-0022	1	S	Chute Crank Ass'y.
59	712-0429	1	S	Hex Ins. L-Nut 5/16-18 Thd.
60	714-0507	1	S	Cotter Pin 3/32" Dia. x .75"
61	715-0138	1	S	Roll Pin 1/8" Dia. x .63" Lg.
62	720-0201A	1	/P	Chute Crank Knob
63	726-0100	1	S	Push Nut
64	705-5189	1	S	Spiral Ass'y.- L.H. (616E)
	705-5188	1	S	Spiral Ass'y.- R.H. (616E - Not shown)
	705-5193	1	S	Spiral Ass'y.- L.H. (646F)
	705-5192	1	S	Spiral Ass'y.- R.H. (646F - Not shown)
65	736-0140	1	S	FI-Wash. .385" I.D. x .62" O.D.
67	784-5678	1		Upper Chute Crank Brkt. Code: N Notates a new part (not previously existing)
68	784-5647	1	S	Lower Chute Crank Brkt.
69	741-0475	1	S	Plastic Bushing .38" I.D.
70	05845A	1	S	Bearing Housing
75	741-0300	1	S	Plastic Bearing w/Flats
76	05931	1	S	Bearing Housing
77	731-0851	1	S	Chute Flange Keeper
78	09966	1	S	Knob Handle Ass'y. (616E)
79	710-0262	1	/P	Carriage Bolt 5/16-18 x 1.5" Lg.
82	712-0107	1	S	Hex L-Nut 1/4-20 Thd.
83	731-0921	1	S	Upper Chute (616E)
	731-1320	1	S	Upper Chute (646F)
84	731-1300	1	S	Lower Chute
85	736-0231	1	S	FI-Wash. .344" I.D. x 1.125"
86	710-0255	1	S	Truss Mach. Scr. 1/4-20 x .75" Lg.
87	736-0142	1	S	FI-Wash. 1/4" I.D.
88	710-0776A	1	S	Hex AB-Tap Scr. 1/4 x .62" Lg. (646F)
89	731-1313	1	S	Cable Guide (646F)
90	784-5594	1		Cable Bracket (646F)
91	746-0896	1	S	Chute Control Cable (646F)
92	746-0901	1	S	Chute Control Cable w/Clip (646F)
93	684-0045	1	S	Plate Reinforcement Ass'y.- L.H. Code: N Notates a new part (not previously existing)
94	684-0046	1		Plate Reinforcement Ass'y.- R.H. Code: N Notates a new part (not previously existing)
95	710-0442	1	S	Hex Bolt 5/16-18 x 1.5" Lg.
96	705-0525	1	S	Chute Reinforcement Code: N Notates a new part (not previously existing)



313-646F190 Snow Boss 850 (1993)
Snow Throwers - Deck and Controls

Page 11 of 13

Ref #	Part Number	Qty	S/P/F	Description
1	725-1646	1	S	Lamp Housing w/Lens Code: N Notates a new part (not previously existing). For model 646F Only
2	710-0351	1	/P	Truss Mach. B-Tap Scr. #10 x .5
3	710-0776A	1	S	Hex AB-Tap Scr. 1/4 x .62" Lg. For model 646F Only
4	736-0242	1	/P	Bell-Wash. .325" I.D. x .88" O.D.
5	748-0362	1		Cam Handle Lock Code: N Notates a new part (not previously existing).
6	714-0507	1	S	Cotter Pin 3/32" Dia. x .75" Lg.
7	736-0509	1		Washer (Special) .72" O.D. Code: N Notates a new part (not previously existing).
8	784-5681	1	/P	Handle Support Brkt. - L.H. Code: N Notates a new part (not previously existing).
9	784-5682	1	S	Handle Support Brkt. - R.H. Code: N Notates a new part (not previously existing).
10	732-0437	1		Compression Spring
11	726-0321	1	S	Retaining Clip Code: N Notates a new part (not previously existing). For model 646F Only
13	749-0908	1	S	Handle - R.H. Code: N Notates a new part (not previously existing).
14	749-0909	1	S	Handle - L.H. Code: N Notates a new part (not previously existing).
15	712-0271	1	/P	Hex Sems Nut 1/4-20 Thd.
16	684-0036	1	S	Engagement Handle - R.H.
17	684-0037	1	S	Engagement Handle - L.H.
18	748-0363	1	S	Pawl Handle Lock Code: N Notates a new part (not previously existing).
19	747-0877	1		Rod Cam Code: N Notates a new part (not previously existing).
20	684-0032A	1		Handle Panel Support Code: N Notates a new part (not previously existing). For model 646F Only
	684-0033A	1		Handle Panel Support Code: N Notates a new part (not previously existing). (616E - Not shown)
21	710-0599	1	/P	Hex Wash. Hd. TT-Tap Scr. 1/4-20 x .5" Lg.
22	711-0946	1		Clevis Pin .437" Dia. x .65" Lg.
23	712-0116	1	S	Hex Ins. L-Nut 3/8-24 Thd.
24	712-0267	1	S/F	Hex Nut 5/16-18 Thd.
25	712-0287	1	S/F	Hex Nut 1/4-20 Thd.
26	714-0111	1	S	Cotter Pin 3/32" Dia. x 1" Lg.
27	732-0193	1	/P	Compression Spring
28	735-0199A	1	S	Rubber Bumper
29	736-0105	1	/P	Bell-Wash. .38" I.D. x .88" O.D.
30	736-0119	1	S/F	L-Wash. 5/16" I.D.

313-646F190 Snow Boss 850 (1993)
Snow Throwers - Deck and Controls

Page 12 of 13

Ref #	Part Number	Qty	S/P/F	Description
?31	736-0175	1	S	Spring Wash. .265" I.D.
32	746-0897	1	S	Auger Clutch Cable
33	746-0898	1	S	Drive Clutch Cable
34	747-0798	1	S	Shift Rod
35	720-0232	1	S	Shift Knob
36	784-0297	1	S	Shift Handle
37	784-5679	1	S	Handle Brkt. - L.H. Code: N Notates a new part (not previously existing).
38	784-5680	1	S	Handle Brkt. - R.H. Code: N Notates a new part (not previously existing).
40	736-0264	1	S	FI-Wash. .344" I.D. x .62" O.D.
41	714-0104	1	S	Internal Cotter Pin 5/16" Dia.
42	711-0677	1	S	Ferrule
43	710-0538	1	/P	Hex Bolt 5/16-18 x .62" Lg. (Special)
44	710-3180	1	/P	Hex Bolt 5/16-18 x 1.75" Lg. (Gr. 5)
45	784-5599	1	S	Handle Tab
44	710-1250	1	/P	Curved Carr. Bolt 5/16-18 x 1.5" Lg.
46		1		UNKNOWN
47	731-1334	1		Handle Panel Code: N Notates a new part (not previously existing). (616E - Not shown)
	731-1347	1		Handle Panels Code: N Notates a new part (not previously existing). For model 646F Only
48	731-1313	1	S	Cable Guide For model 646F Only
49	746-0896	1	S	Chute Control Cable For model 646F Only
50	746-0901	1	S	Chute Control Cable w/Clip For model 646F Only
51	736-0425	1	S	Bell-Wash. .325" I.D. x .93" O.D. For model 646F Only
52	784-5604	1	S	Chute Tilt Handle For model 646F Only
53	712-0158	1	S	Hex Cent. L-Nut 5/16-18 Thd. For model 646F Only
57	712-0267	1	S	Hex Nut 5/16-18 Thd.
58	736-0271	1	S	Spr. Wash. .32" I.D. x .62" O.D.
59	712-0121	1	S	Hex Nut #10-24 Thd. (Incl. w/Ref. 32 & 33)
60	725-0157	1	/P	Cable Tie For model 646F Only
61	736-0506	1	S	Washer (Special) 1.25" O.D. For model 646F Only
62	710-0252	1	/P/F	Hex Bolt 1/4-20 x .85" Lg.
63	736-0270	1	/P	Bell-Wash. .265" I.D. x .75" O.D.
64	725-1645	1	S	Bulb Code: N Notates a new part (not previously existing). For model 646F Only
65	629-0059	1	S	Wire Harness Code: N Notates a new part (not previously existing). For model 646F Only
	777-0681	1		Snow Boss 500 Label
	777-0680	1		Snow Boss 850 Label
	777-0145A	1		Chute Crank Label
	777-0144	1		6-Speed Label
	777-0701	1		Label

313-646F190 Snow Boss 850 (1993)
Snow Throwers - Deck and Controls

Ref #	Part Number	Qty	S/P/F	Description
	777-0282	1		Auger Control Label
	777-0283	1		Traction Control Label